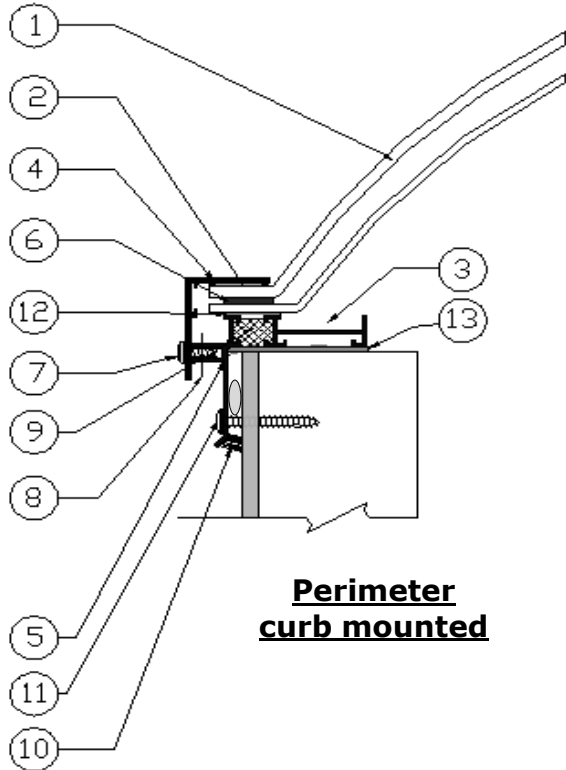


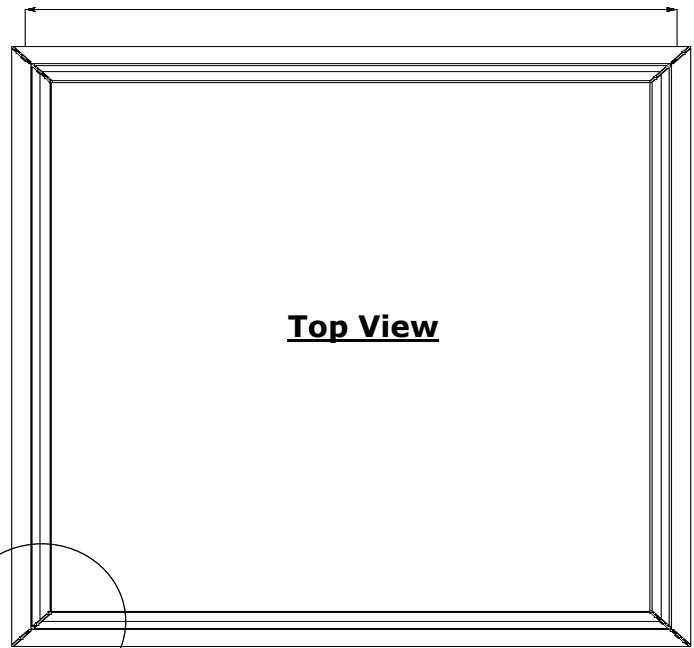
A1 x A2

**Total external dimension
included membrane and flashing**

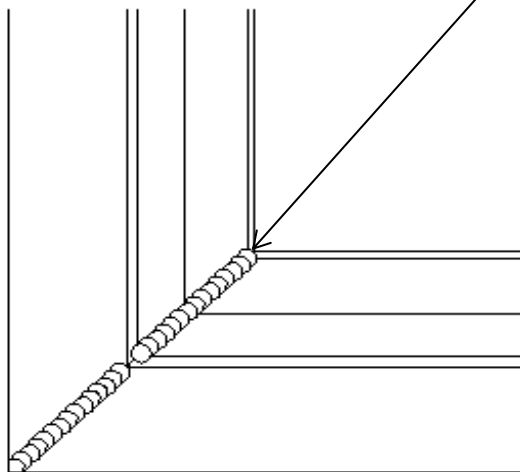
Typical section



**Perimeter
curb mounted**



Top View



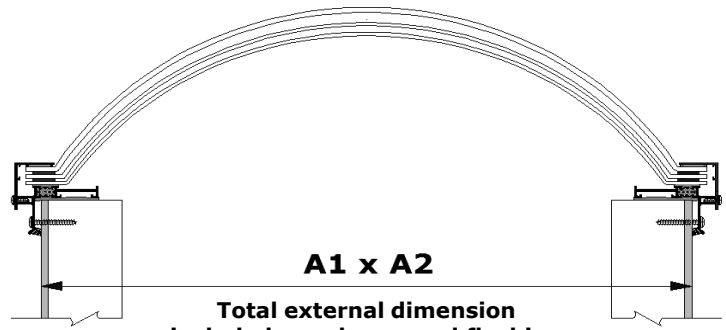
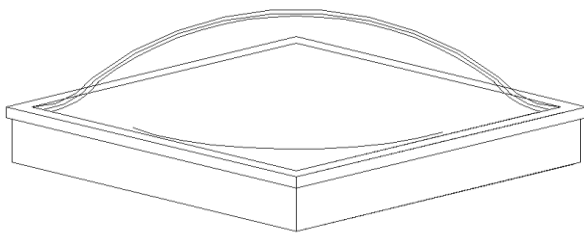
**Framing aluminum
6063-T5 welded corners**

MATERIAL LEGEND

Aluminum extrusion: alloy 6063-T5

- 1) Acrylic domes
- 2) Butyl tape 1/8"
- 3) Condensation gutter
- 4) Aluminum pressure angle
- 5) Aluminum perimeter frame
- 6) Neoprene pad 1/8" x 3/4"
- 7) Round head stainless steel screw
- 8) 10-24 x 1/2" (12mm)
- 9) Weep holes @ 24" C/C
- 10) Polyurethane thermal barrier HD
- 11) Etafoam rod & silicone sealant
- 12) Round head screw #12 x 2"
- 13) Foam tape 3/8" x 2 1/4"

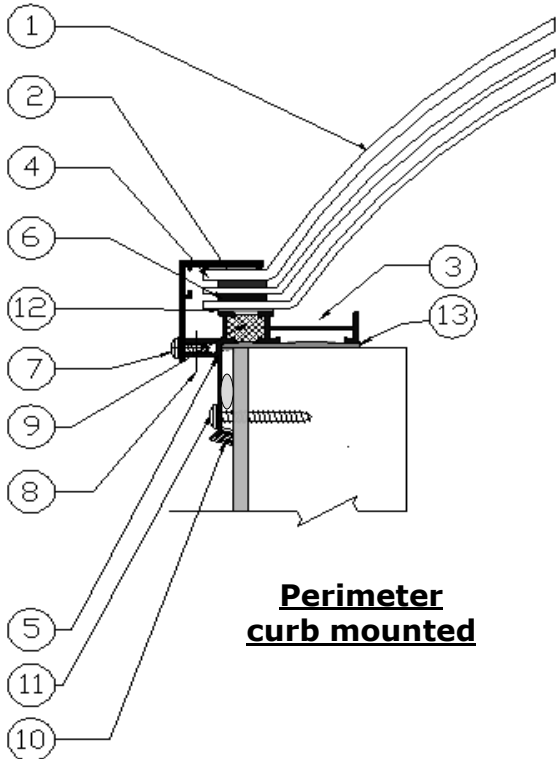
**Verplex 150 system
Skylight dome
Double glazing**



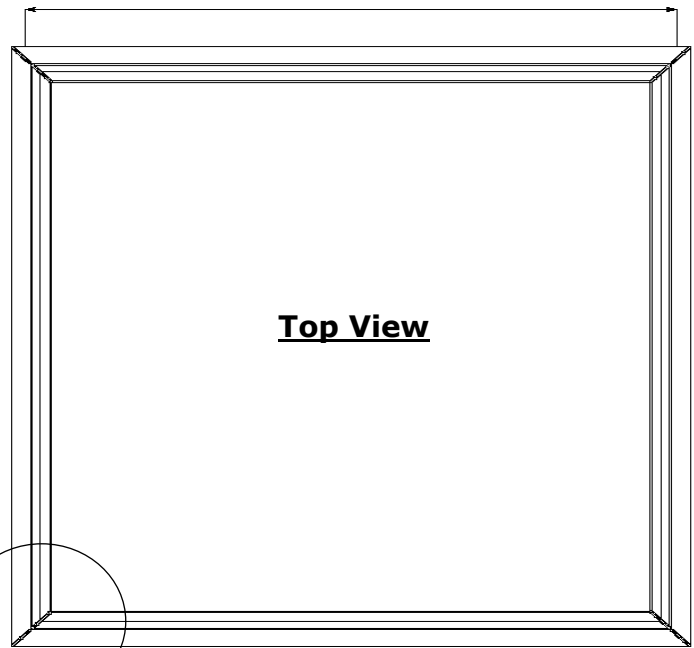
A1 x A2

**Total external dimension
included membrane and flashing**

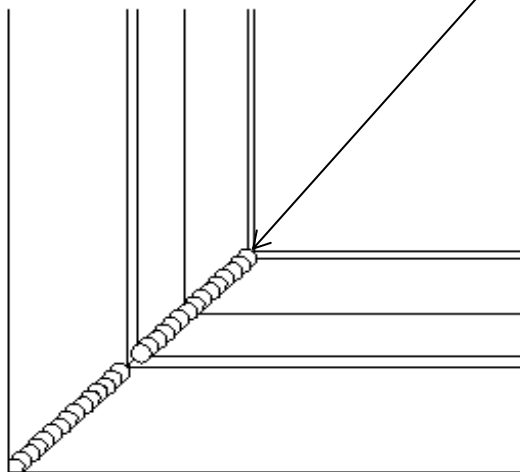
Typical section



**Perimeter
curb mounted**



Top View



**Framing aluminum
6063-T5 welded corners**

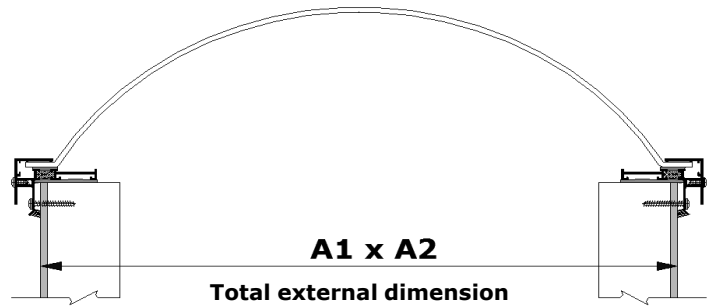
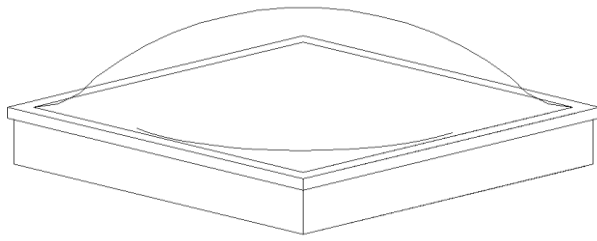
MATERIAL LEGEND
Aluminum extrusion: alloy 6063-T5

- 1) Acrylic domes
- 2) Butyl tape 1/8"
- 3) Condensation gutter
- 4) Aluminum pressure angle
- 5) Aluminum perimeter frame
- 6) Neoprene pad 1/8" x 3/4"
- 7) Round head stainless steel screw
- 8) 10-24 x 1/2" (12mm)
- 9) Weep holes @ 24" C/C
- 10) Polyurethane thermal barrier HD
- 11) Etafoam rod & silicone sealant
- 12) Round head screw #12 x 2"
- 13) Foam tape 3/8" x 2 1/4"

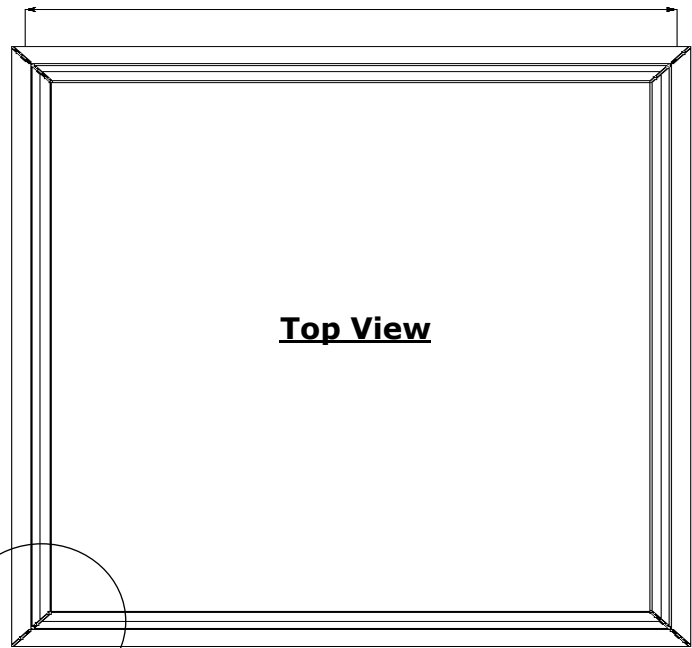
**Verplex 150 system
Skylight dome
Triple glazing**

 **Verplex**
Plastic skylights manufacturer

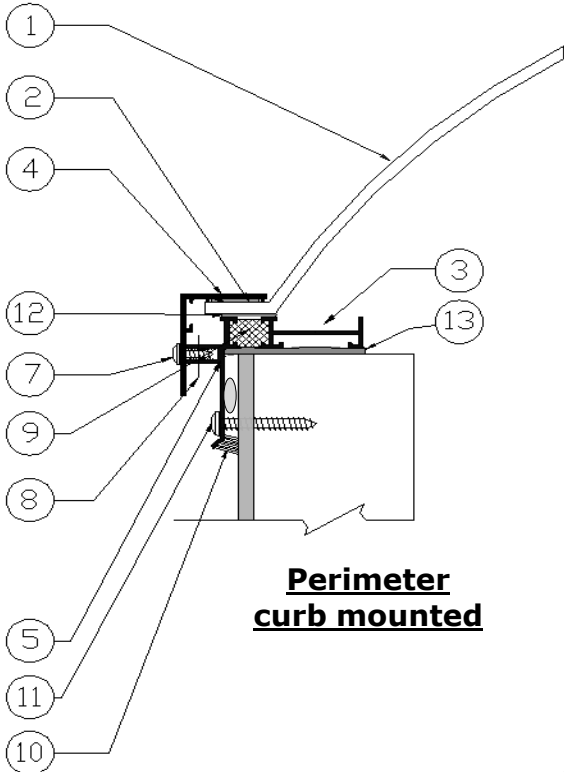
01-2016



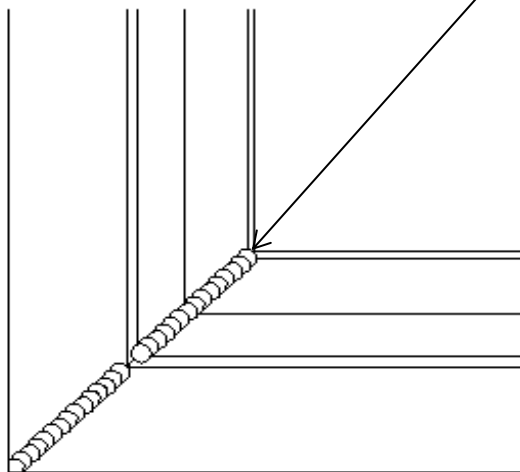
Typical section



Top View



Perimeter curb mounted



**Framing aluminum
6063-T5 welded corners**

**MATERIAL LEGEND
Aluminum extrusion: alloy 6063-T5**

- 1) Acrylic domes
- 2) Butyl tape 1/8"
- 3) Condensation gutter
- 4) Aluminum pressure angle
- 5) Aluminum perimeter frame
- 7) Round head stainless steel screw
- 8) 10-24 x 1/2" (12mm)
- 9) Weep holes @ 24" C/C
- 10) Polyurethane thermal barrier HD
- 11) Etafoam rod & silicone sealant
- 12) Round head screw #12 x 2"
- 13) Foam tape 3/8" x 2 1/4"