

## Skylight installation V150 Series

Applicable for single, double and triple glazing

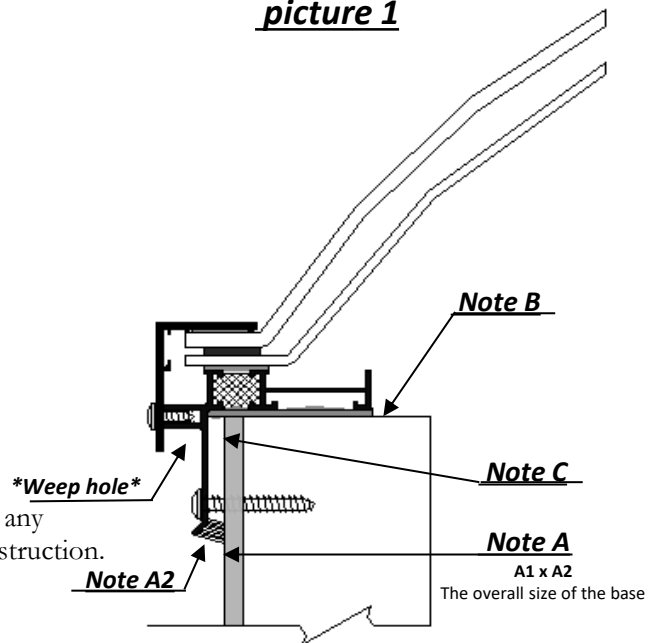
### CAUTION BEFORE INSTALLATION

picture 1

- 1) The dimensions given to the manufacturing must be met for the installation is at maximum efficiency. **IMPORTANT** The dimensions must be taken outside the box including the roof membrane or metal flashing (see note A on picture 1) The skylight will be produced 1/2 "(12mm) larger or 1/4" (Note A2, picture 1) (6mm) on all perimeter used for sealants.

- 2) **The installer** must ensure that the roof box either square and properly insulated and sealed to avoid not alter the performance of the thermal barrier skylight. (see Note D on picture 2 to the backs)

**\*Weep Hole\*** The weep hole must not be obstructed in any way by sealants, membranes or any other material of construction.

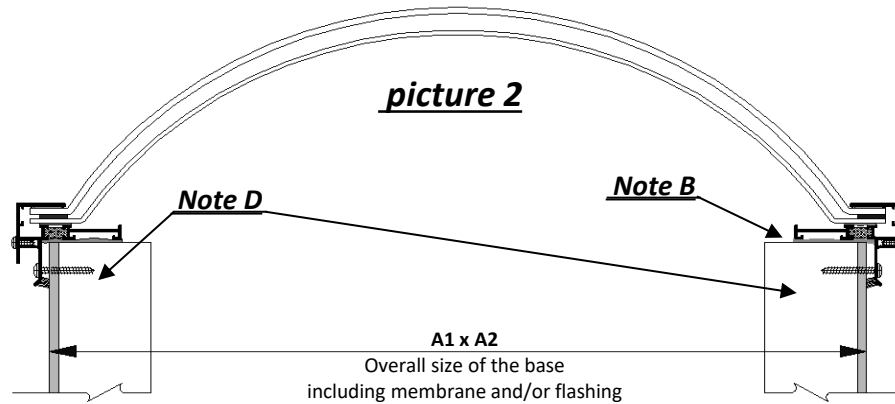


- 3) above the base of the roof must be flat over the entire its surface. Ensure that there is no opening towards the inside of the roof which let pass cold or moisture from the attic. (see note B on picture 1 and 2)
- 4) The roof membrane and (or) the protection of metal flashing must be cut to equal above the base of the roof and not be folded over the top (see note C on picture 1)
- 5) The skylight is produced with a caulking tape 3/8" thick x 2 1/4 "wide completely covers the surface below the aluminum gutter. Uniform pressure to be applied to the skylight to crush the ribbon and thus hermetically sealing the two components. This isolation is a protection against air infiltration inwardly and heat loss to the outside. (see Note F on picture 2 to the backs)
- 6) Place the Skylight on the base and also share space on all sides of skylights. It is recommended as shown in (picture 4) on the back for fix the skylight in place. Be careful not to deform the extrusion of aluminum screw too tightly. (see Note G 3 to the back) The anchor holes are pre-drilled plant and each of the holes, a screw anchor is to be installed.
- 7) A silicone seal SilPruf SCS2000 GE, must be applied over the entire contour skylight to completely seal against air infiltration, water or snow driven by winds. (See Note G on picture 3 to the back)
- 8) Warning: after or before installation, immediately remove the protective film (blue or clear)

**The recommended by the manufacturer ensure proper installation as the best protection against the ingress of water while enjoying a better energetic performance and extend the durability of the skylight.**

## Skylight installation V150 Series

Applicable for single, double and triple glazing

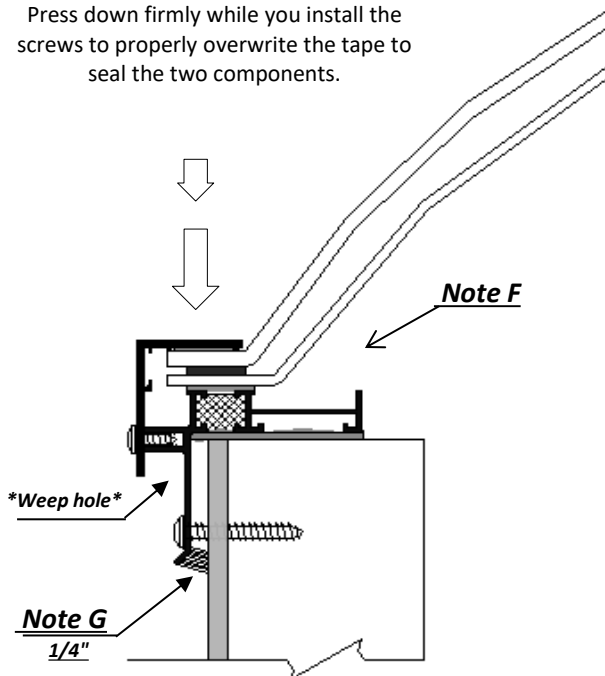


2- The installer must ensure that the roof box is the square and properly insulated and sealed so as not to alter the performance of the thermal barrier of the skylight.

3 - The top of the roof base must be flat over the entire its surface. Ensure that there is no opening towards the inside of the roof that let seep cold or moisture from the attic.

**picture 3**

Press down firmly while you install the screws to properly overwrite the tape to seal the two components.



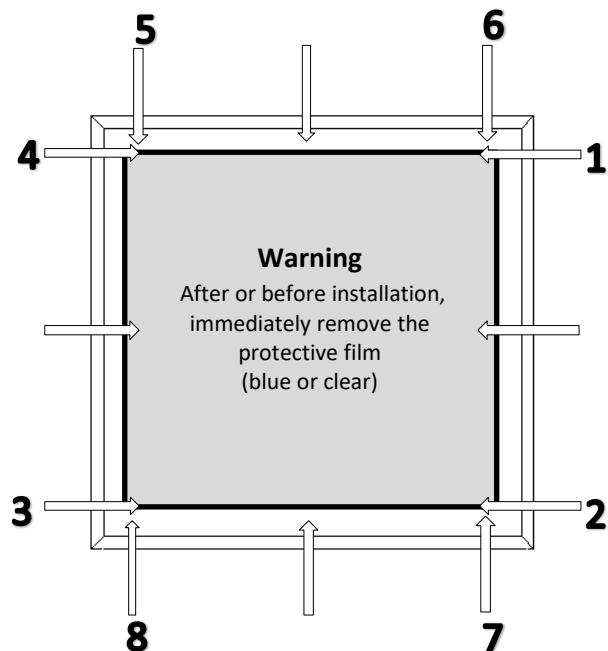
Be careful not to deform the extrusion of aluminum screw too tightly.

To finish the installation, the silicone seal must be applied between the base of the skylight and the skylight on the perimeter as shown (Note G, picture 3)

**\*Weep Hole\*** The weep hole must not be obstructed in any way by sealants, membranes or any other material of construction.

**picture 4**

Positioning and anchoring to the building order of screwing.  
(Seen from above)



After correctly positioned skylight with 1/4 "space around the perimeter, all anchor bolts must be fixed while pressing the skylight down (picture 3) and without moving the latter along order as shown (# 1 to # 4) first to keep the skylight in the right position and then install the screws (# 5 to # 8) to secure more firmly. If applicable, screws the center should be set last.